

WOG-II - 315; 355; 400 (F300; F400)

WOG-II - 315; 355; 400 (F300; F400)

Zalety:

- skuteczne oddymianie i wentylacja
- mała przestrzeń montażowa
- szybka i prosta instalacja
- łatwa regulacja systemu
- cicha praca
- niższe koszty systemu oddymiania

Features:

- effective smoke extraction and ventilation
- small installation space
- quick and easy installation
- easy system adjustment
- quiet operation
- lower costs of the smoke ventilation system

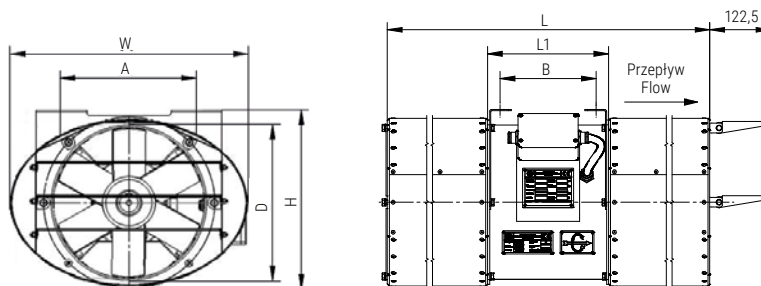
Przeznaczenie

Wentylatory strumieniowe WOG-II 315, 355, 400 przeznaczone są do usuwania dymu, ciepła oraz przewietrzania parkingów samochodowych lub innych dużych przestrzeni. Optymalny kształt tłumików minimalizuje wysokość potrzebną do instalacji i zapewnia cichą pracę.

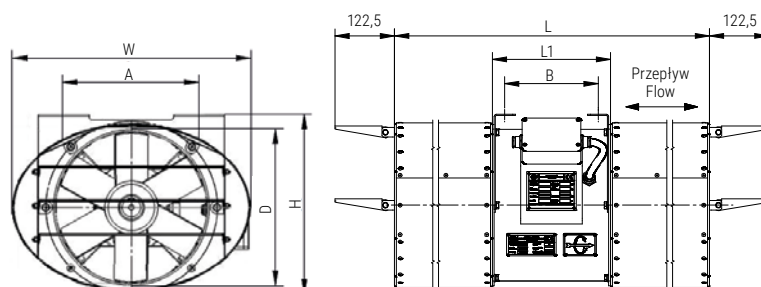
Intended use

WOG-II 315, 355, 400 jet fans are intended for smoke and heat extraction as well as ventilation of car parks or other large spaces. The optimal shape of the silencers minimises the height required for installation and ensures quiet operation.

WOG-II - 315 ÷ 400



WOG-II - 315 ÷ 400 (rewersyjny / reversible)

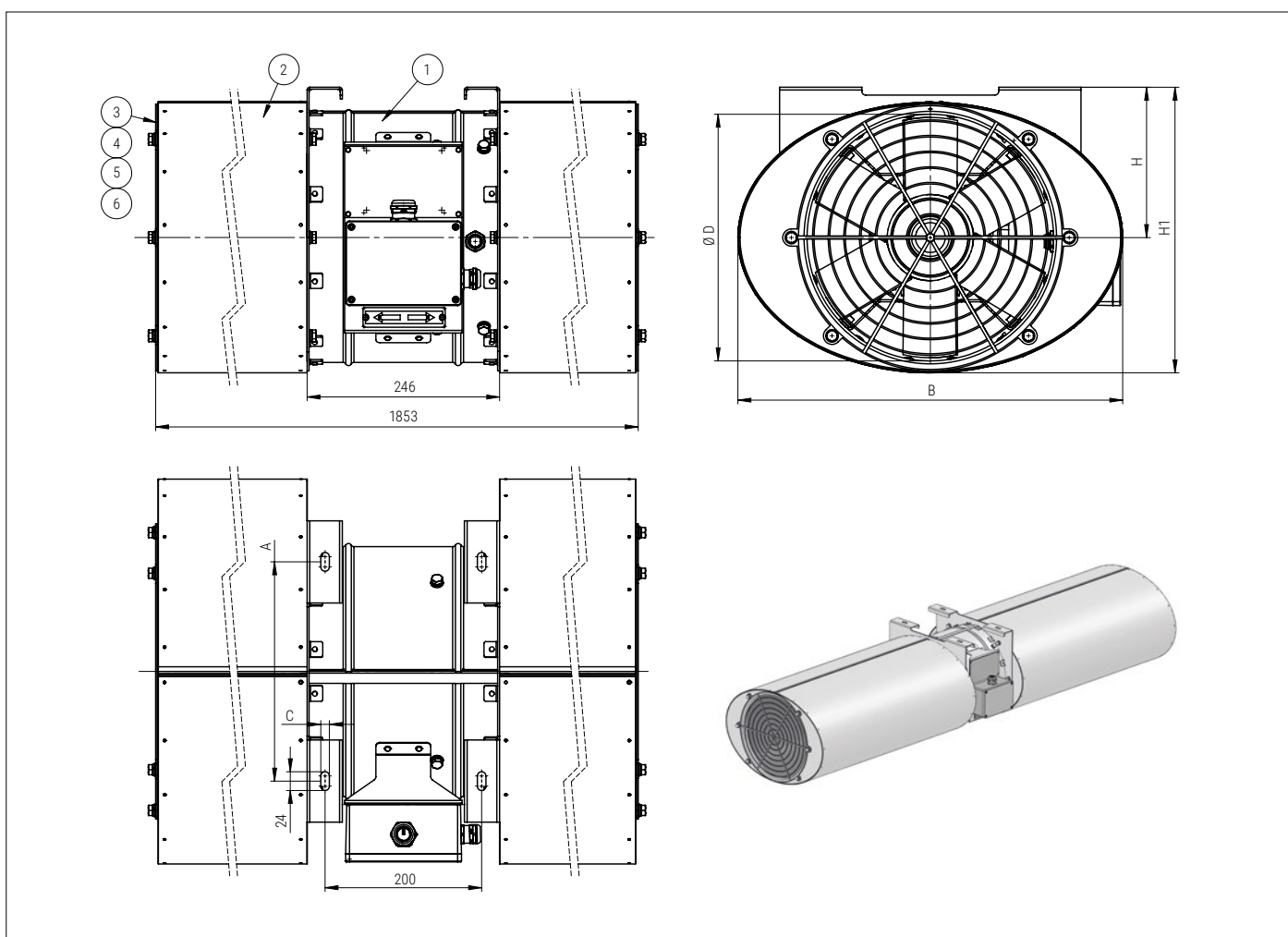


Wymiary | Dimensions

Typ Type	A [mm]	B [mm]	D [mm]	H [mm]	H [mm]	L1 [mm]	L [mm]	Masa / Weight [kg]
WOG-II-315-OD	280	200	315	490	365	246	1853	62,0
WOG-II-355-OD	320	200	355	555	405	246	1853	68,0
WOG-II-400-OD	375	200	400	625	446	246	1853	87,0

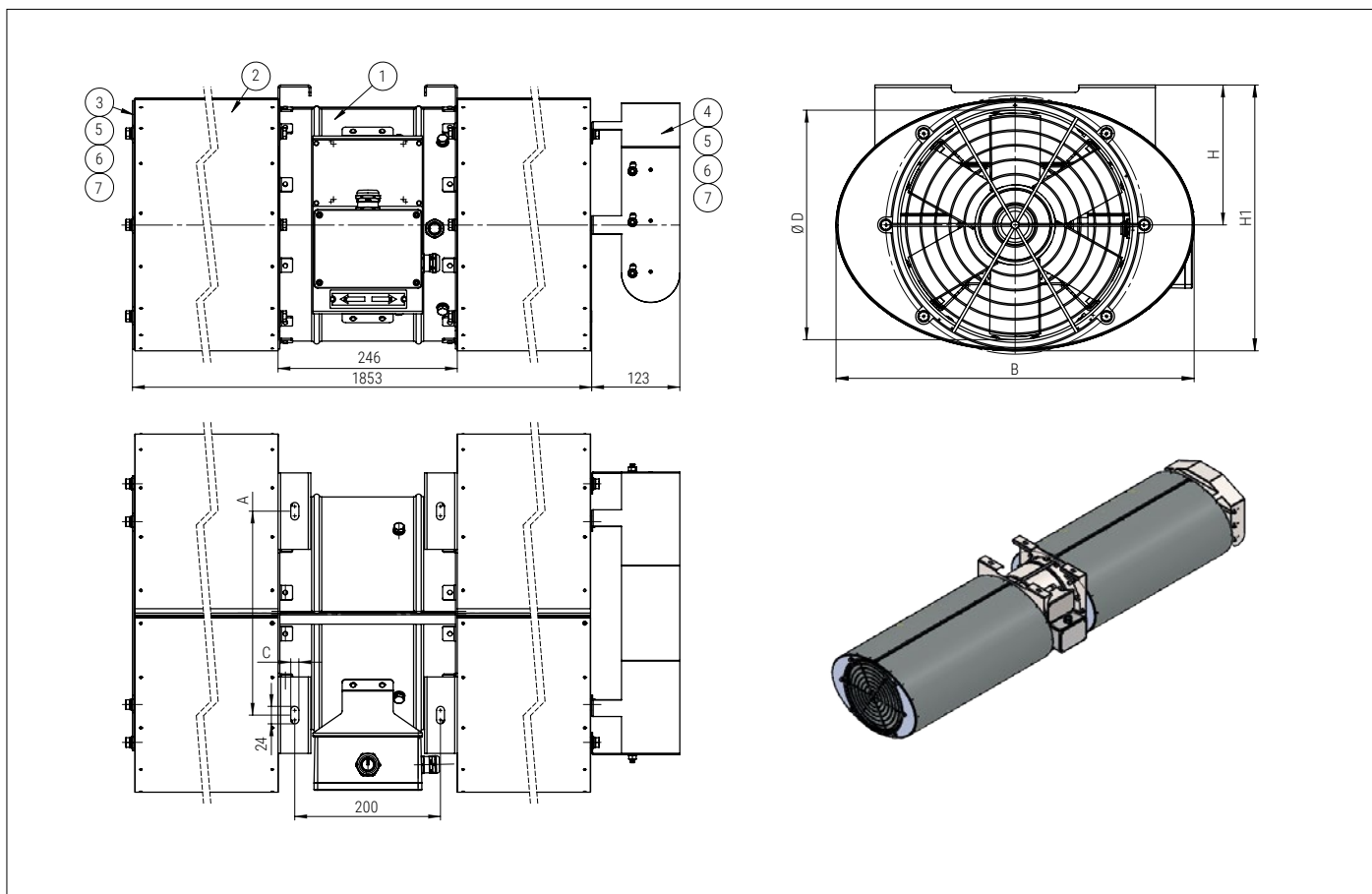
Dane techniczne | Dimensions

Typ Type	Siła ciągu Thrust [N]	Wydajność Capacity [m³/h]	Moc silnika Power [kW]	Pobór prądu Current consumption [A]	Prędkość obrotowa Rotational speed [obr/min] [rpm]	Poziomy hałas Noise level [dB(A)]	Waga Weight [kg]	Temperatura pracy Operating temperature
WOG-II-315/OD-II	23/6	3940/1950	0,8/0,2	1,91/0,63	2820/1400	60/42	62,0	300°C/2h 400°C/2h
WOG-II-315R/OD-II	21/5	3860/1920				61/43		
WOG-II-355/OD-II	38/10	6040/2990	1,1/0,25	2,49/1,1	2810/1390	64/42	68,0	300°C/2h 400°C/2h
WOG-II-355R/OD-II	36/9	5890/2940				65/43		
WOG-II-400/OD-II	63/15	8240/4080	1,5/0,37	3,45/1,19	2875/1430	67/45	87,0	300°C/2h 400°C/2h
WOG-II-400R/OD-II	55/14	8040/3980				69/47		

Wentylator WOG-II w wersji z dwoma tłumikami | WOG-II fan in a version with two silencers

Wymiary | Dimensions

Typ Type	A [mm]	B [mm]	C [mm]	D [mm]	H [mm]	H1 [mm]
WOG-315	280	490	11	315	192	365
WOG-355	320	555	13	355	210	405
WOG-400	375	625	13	400	227	446

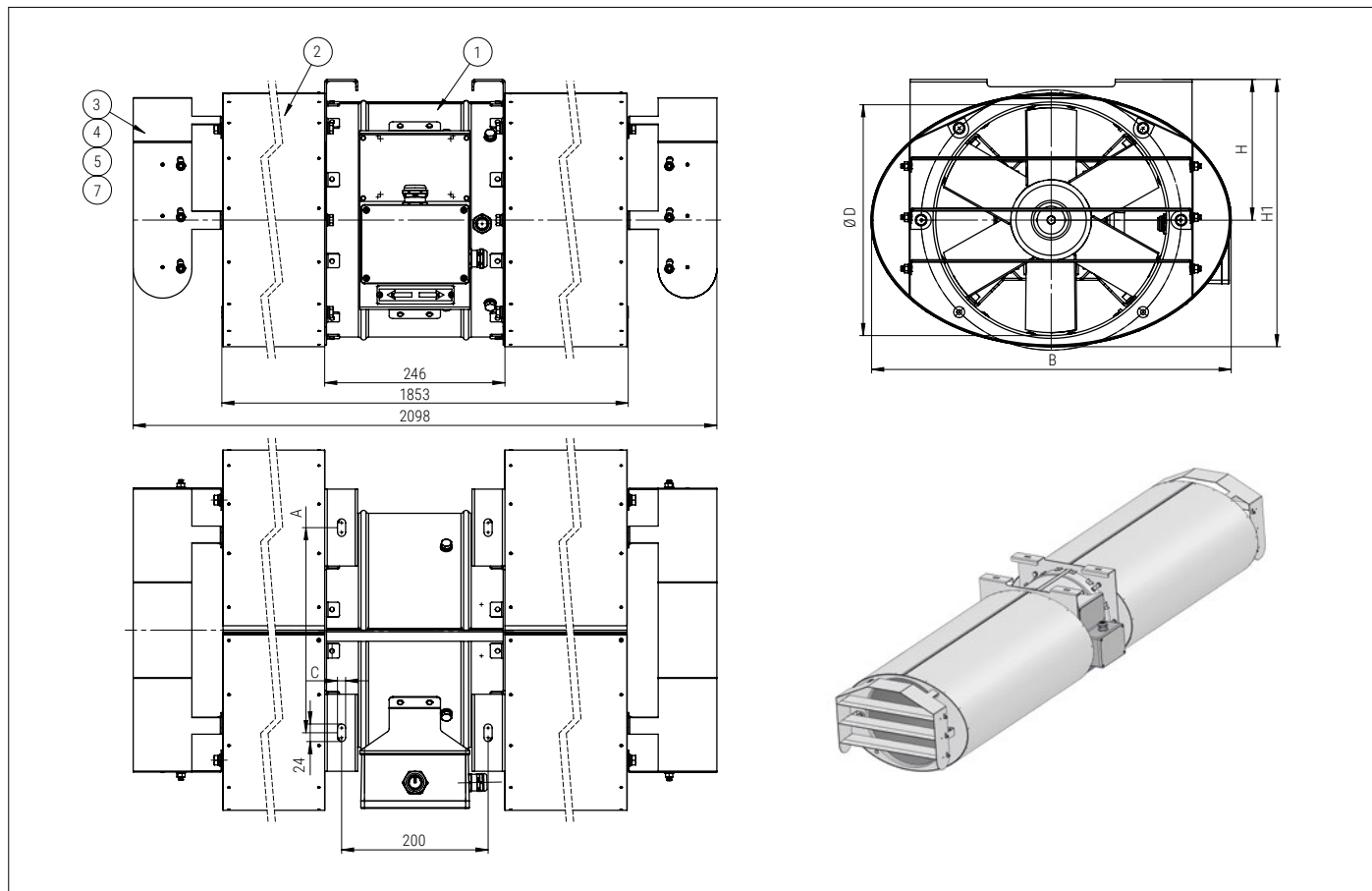
Wentylator WOG-II w wersji z dwoma tłumikami oraz jednym deflektorem WOG-II fan in the version with two silencers and one deflector



Wymiary | Dimensions

Typ Type	A [mm]	B [mm]	C [mm]	D [mm]	H [mm]	H1 [mm]
WOG-315	280	490	11	315	192	365
WOG-355	320	555	13	355	210	405
WOG-400	375	625	13	400	227	446

Wentylator WOG-II w wersji z dwoma tłumikami oraz z dwoma deflektorami
WOG-II fan in the version with two silencers and two deflectors



Wymiary | Dimensions

Typ Type	A [mm]	B [mm]	C [mm]	D [mm]	H [mm]	H1 [mm]
WOG-315	280	490	11	315	192	365
WOG-355	320	555	13	355	210	405
WOG-400	375	625	13	400	227	446

LGA Technological Center, S.A. (APPLUS)
Campus UAB - Ronda de la Font del Carme s/n
08193 Bellaterra (Barcelona)
T +34 93 587 20 00
www.appluslaboratories.com



CERTIFICATE

No. **0370-CPR-4717**

CERTIFICATE OF CONSTANCY OF PERFORMANCE

In compliance with Regulation (EU) Nr. 305/2011 of the European Parliament and of the Council of 9 March 2011 (the Construction Products Regulation or CPR), this certificate applies to the construction product:

SMOKE AND HEAT CONTROL SYSTEMS. VENTILATORS (FANS)
PRODUCT RANGE: **WOG-II**

Place on the market under the name of:

**FABRYKA URZĄDZEŃ WETYLACYJNO
KLIMATYZACYJNYCH KONWEKTOR Z.O.O.**

UL. WOJSKA POLSKIEGO 6
87-600 LIPNO (POLAND)

And produced in the manufacturing plant:

UL. WOJSKA POLSKIEGO 6
87-600 LIPNO (POLAND)

This certificate attests that all provisions concerning the assessment and verification of constancy of performance described in Annex ZA of the standard

EN 12101-3:2015

under system 1 for the performance set out in this certificate are applied and that the factory production control conducted by the manufacturer is assessed to ensure the **constancy of performance of the construction product**.

This certificate was first issued on 6th November 2020 and will remain valid as long as neither the harmonised standard, the construction product, the AVCP methods nor the manufacturing conditions in the plant are modified significantly, unless suspended or withdrawn by the notified product certification body. It is confirmed on 3rd December 2021.

Bellaterra, 3rd December 2021



Applus+
LGA Technological Center, S.A.

Xavier Ruiz Peña
Managing Director, Product Conformity B.U.



This document is not valid without its technical annex, whose number coincides with that of the certificate.

You can check the validity of this certificate into our website at: www.appluslaboratories.com/certified_products

Page 1 / 2

LGA TECHNOLOGICAL CENTER, S.A. OF: 4-63207482

LGA Technological Center, S.A. (APPLUS)
Campus UAB - Ronda de la Font del Carme s/n
08193 Bellaterra (Barcelona)
T +34 93 587 20 00
www.appluslaboratories.com



FIRE SAFETY CERTIFICATION

PRODUCT APPROVAL

No. **APF-1808**

LGA TECHNOLOGICAL CENTER S.A. (APPLUS), according to the requirements of the SPC-102 Ed. 5, certifies the performances stated in the technical annex following the reference standard for:

Product range	WOG-II
Company	FABRYKA URZĄDZEŃ WETYLACYJNO KLIMATYZACYJNYCH KONWEKTOR Z.O.O. UL. WOJSKA POLSKIEGO 6 87-600 LIPNO (POLAND)
Manufactured	FABRYKA URZĄDZEŃ WETYLACYJNO KLIMATYZACYJNYCH KONWEKTOR Z.O.O. UL. WOJSKA POLSKIEGO 6 87-600 LIPNO (POLAND)
Standard Reference	EN 12101-3:2015 "Smoke and heat control systems. Part 3: Specifications for powered smoke and heat control ventilators (fans)"
Product Details and Test Report	Please check at the technical annex file and the range report n° 20/22797-1943



Renovation of the initial certificate issued on 6th November 2020

Bellaterra, 3rd December 2021

 LGA Technological Center, S.A. Xavier Ruiz Peña Product Conformity B. U., Managing Director	
---	--

You can check the validity of this certificate on our website: www.appluslaboratories.com/certified_products

This document is not valid without its technical annex, whose number coincides with the number of certificate.



Page 1 / 2

LGA TECHNOLOGICAL CENTER, S.A. OF: 4-63207482

LGA Technological Center, S.A. (APPLUS)
Campus UAB - Ronda de la Font del Carme s/n
08193 Bellaterra (Barcelona)
T +34 93 587 20 00
www.appluslaboratories.com



Technical Annex Ed. 1
06/11/2020

0370-CPR-4717

Annex according to **EN 12101-3:2015**

SMOKE AND HEAT CONTROL SYSTEMS. PART 3: SPECIFICATION FOR POWERED SMOKE AND HEAT CONTROL VENTILATORS (FANS)

CERTIFIED PERFORMANCE

Essential characteristics	Clauses in this European Standard	Mandated level(s) or class(es)
Response delay - Opening under wind load within a given time; - Opening under snow load within a given time.	4.1.1	NA
		NA
Operational reliability - Application categories; - Motor rating.	4.2.2	<ul style="list-style-type: none"> Thermally uninsulated Direct feed Dual purpose use Installation inside the smoke reservoir
		4.2.3
Effectiveness of smoke/hot gas extraction: - Gas flow and pressure maintenance during smoke and heat extraction test.	4.3.2	+/-20% (P ₃)
Resistance to fire	4.4	F ₄₀₀ (I20)
Ability to open under environmental conditions - Opening under wind load within a given time; - Opening under snow load within a given time.	4.5	NA
		NA
Durability of operational reliability	4.6	NPD

PASS; NPD = No Performance Determined; NA = Not Applicable

PRODUCT

1.- Application:

- Fans tested inside the furnace.
- F400 fan. Tested during 120 minutes.
- Dual purpose use
- Horizontal direction of motor shaft

3.- Accessories:

- Terminal block reference Kostka B125-G4-6 from Limathern.
- Terminal box from Konwektor.
- Silencers from Konwektor.
- Deflectors from Konwektor.
- Supporting feet from Konwektor.

2.- Characteristics:

- Motor W22 by WEG:
 - Power up to 1,5 kW.
 - Motor size 80 and 90S
 - 2 poles
 - Rated voltage: 400 V (±10%)
 - Rated frequency: 50 Hz
 - Fan size from 315 to 400.

The complete technical data of the certified range **WOG-II** are detailed in the technical file and the range report n° 20/22797-1943.

Page 2 / 2

LGA Technological Center, S.A. (APPLUS)
Campus UAB - Ronda de la Font del Carme s/n
08193 Bellaterra (Barcelona)
T +34 93 587 20 00
www.appluslaboratories.com



Technical Annex Ed. 1
06/11/2020

APF-1808

Annex according to **EN 12101-3:2015**

SMOKE AND HEAT CONTROL SYSTEMS. PART 3: SPECIFICATION FOR POWERED SMOKE AND HEAT CONTROL VENTILATORS (FANS)

CERTIFIED PERFORMANCES

Essential characteristics	Clauses in this European Standard	Mandated level(s) or class(es)
Response delay - Opening under wind load within a given time; - Opening under snow load within a given time.	4.1.1	NA
		NA
Operational reliability - Application categories; - Motor rating.	4.2.2	<ul style="list-style-type: none"> Thermally uninsulated Direct feed Dual purpose use Installation inside the smoke reservoir
		4.2.3
Effectiveness of smoke/hot gas extraction: - Gas flow and pressure maintenance during smoke and heat extraction test.	4.3.2	+/-20% (P ₃)
Resistance to fire	4.4	F ₄₀₀ (I20)
Ability to open under environmental conditions - Opening under wind load within a given time; - Opening under snow load within a given time.	4.5	NA
		NA
Durability of operational reliability	4.6	NPD

PASS; NPD = No Performance Determined; NA = Not Applicable

PRODUCT

1.- Application:

- Fans tested inside the furnace.
- F400 fan. Tested during 120 minutes.
- Dual purpose use
- Horizontal direction of motor shaft

2.- Characteristics:

- Motor W22 by WEG:
 - Power up to 1,5 kW.
 - Motor size 80 and 90S
 - 2 poles
 - Rated voltage: 400 V (±10%)
 - Rated frequency: 50 Hz
 - Fan size from 315 to 400.

3.- Accessories:

- Terminal block reference Kostka B125-G4-6 from Limathern.
- Terminal box from Konwektor.
- Silencers from Konwektor.
- Deflectors from Konwektor.
- Supporting feet from Konwektor.

Page 2 / 2